



- **Standard Analogue phone or SIP phone**
- **Robust housing, constructed of stainless steel, with LCD display**
- **Vandal resistant armored cord handset**
- **Full Rugged & durable keypad, volume control feature**
- **Wall mounting, simple installation**
- **Weather proof protection IP65**
- **External Power supply or PoE (SIP phone)**
- **Inductive coupler fitted as standard for hard of hearing**
- **CE, FCC compliant**

The Handset Telephone is designed to meet the needs of client who experience loss through vandalism. Ideal for parking lots, prisons, railway/metro platforms, hospitals, police stations, ATM machines, stadiums, outside building etc.

Housed in cold rolled steel box and manufactured to a high standard, these telephones offer increased resistance to vandalism, and ensure that the primary function of communications is maintained at all times.

Extremely easy to install. The cable entrance is on the back of the phone to prevent from artificial damage, while the keypad is weather and vandal resistant.

#### **Standard Analogue**

As a standard analogue telephone, this unit provides basic telephone functions and can be connected to any standard two-wire telephone line, including analogue PABX lines and PSTN.

#### **SIP-VoIP TECHNICAL SPECIFICATIONS**

##### **Power Input:**

12-24V DC

##### **Port:**

WAN: 10/100Base-T RJ-45 for LAN, Auto MDIX

LAN: 10/100Base-T RJ-45 for PC, Auto MDIX

##### **Power Consumption:**

Idle:1.5W/ Active:1.8W

##### **Voice Features**

- Support SIP 2.0 (RFC3261)
- Codec: G.711A/u, G.7231 high/low, G.729, G.722
- Echo cancellation: Support G.168 and hand-free can support 96ms
- Supports full duplex
- SIP support SIP domain, SIP authentication(none, basic,MD5),DNS name of server
- DTMF:SIP info, DTMF Relay, RFC2833
- Call control features: Flexible dial map, support hot-line

##### **Network Features**

- WAN/LAN: support Bridge mode
- Support static IP address
- Support DHCP get IP on WAN port
- Support VLAN
- Support web config

**TECHNICAL SPECIFICATIONS**
**Casing Material**

Stainless steel steel body

**Handset Material**

ABS material handset with stainless steel spiral cord.

**Keypad**

Weather sealed tactile digital keypad. Chrome key and frame made of zinc alloy. Vandal resistance.

**Temperature**

Operating: -30°C to +65°C

Storing: -40°C to +75°C

**Weather Resistance**

IP65

**Ringtone**

Shrill warble tone 80 dBA @ 1 metre typical

**Hook switch**

Electronic / magnetic with no visible moving parts

**M.T.B.F.**

Calculated to have an M.T.B.F. in excess of 50,000 hours using

**Weight**

Up to 4 kg depending on option

**ANALOGUE**
**Dialing**

MF (tone)

**Power supply**

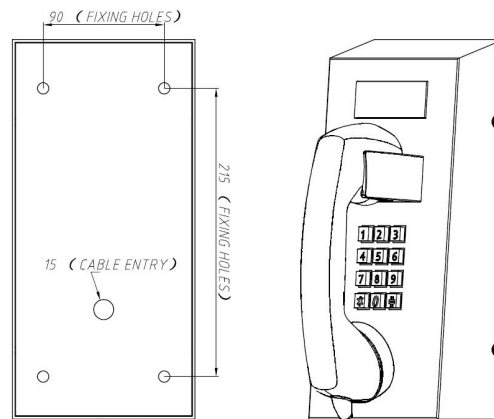
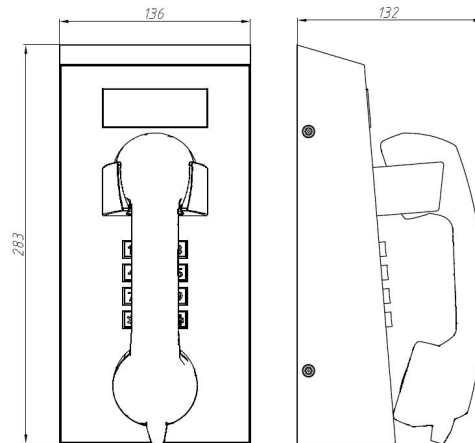
Drawn from telephone line

**Lightning / Transients**

Protection to ITU-T k.21 enhanced levels

**Programming**

Can be programmed by keypad or by tone phone remotely

**DIMENSIONS:**


(Measured in mm)

**APPROVALS**


This mark indicates compliance with the:  
Radio & Telecommunications Terminal Equipment  
Directive  
2004/108/EC



This mark indicates compliance with the:  
FCC Part 15 Subpart B Class B

**PACKAGE**

unit size: 247 \*130 \*132(mm)

Carton size:340 \*235 \*165( mm )

Packaging materials: pearl cotton, carton

Net weight: 3.5KG Gross weight: 4KG